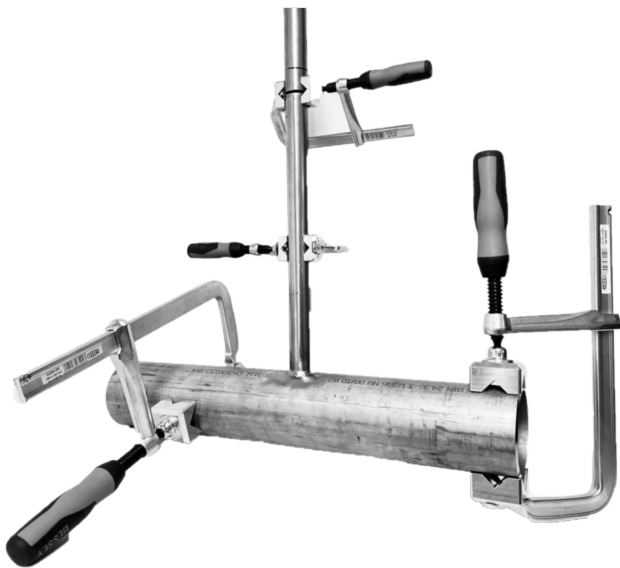


# PIPE CLAMPS

## V PAD PIPE CLAMPS



The convenient way to hold round or square tubes for butt-welding.



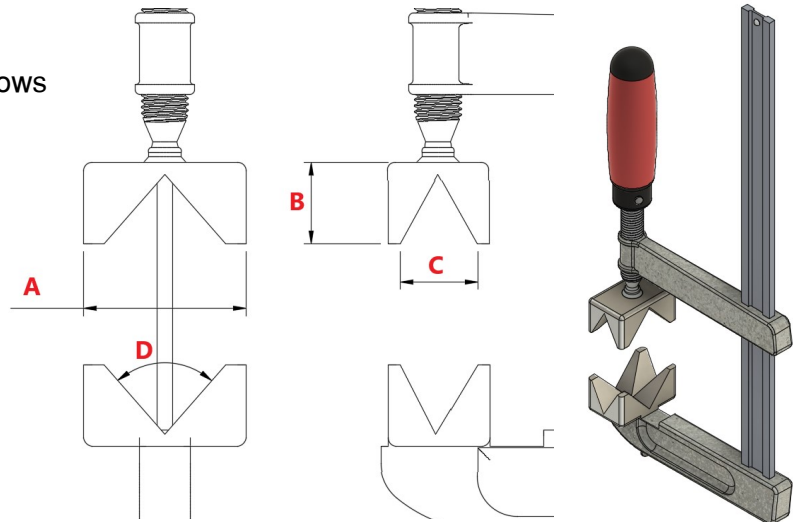
- ▶ Wide opening allows the Pipe Clamps to hold up to 270mm diameter pipes
- ▶ 2 large V-Pads provide a better clamping surface
- ▶ Clamp pads designed to suit your application

The **V Pad Pipe Clamps** can be used in the welding of all kind of materials such as carbon steel, stainless, duplex, super duplex and titanium.

Due to its design, the clamps ensure that the clamping forces are evenly spread around the pipe to be welded. This is true for all pipe dimensions within the range of the Clamps.

The arms are fabricated from steel which allows a clamping force to meet the requirements for all pipe dimensions within the range of the Clamps. The pads are manufactured from high grade aluminium to ensure rigidity but minimise risk of pipe damage.

The welding of pipe to pipe and pipe to fittings is easily performed with this Clamp. Five sizes of clamp are available covering all pipe diameters between 4-270mm.



| Pipe Diameter | Part No. | Weight | Angle Adjustment |
|---------------|----------|--------|------------------|
| 4-12mm        | PSCX-1   | 0.34kg | 45° /90°         |
| 12-54mm       | PSCX-2   | 0.35kg | 45° /90°         |
| 29-115mm      | PSCX-3   | 1.60kg | 45° /90°         |
| 129-220mm     | PSCX-4   | 1.80kg | 45° /90°         |
| 129-270mm     | PSCX-5   | 1.90kg | 45° /90°         |